

AMR1AWSV3

Sit Stand Combo Workstation Wall Mount System with Extended Display Arm

This Amer Combo Wall Mount Workstation System provides an ergonomic and convenient method to create work efficiencies and maximum space utilization. Designed with an extended arm to hold the display and a second arm for the keyboard tray, this sit-stand wall mount system allows for easy collaboration and high flexibility in both function and ease of use.

The Mount system comes with a CPU wall mount holder to allow for the easy storage and accessibility of the main processing unit and a mouse holder to keep the station neat and organized.



Specifications

General

- Material:
 - Steel/Aluminum Alloy/Plastic
- Weight:
 - 10.5 kg (23.15 lbs)
- KeyBoard Tray
 - 2.5 Kg (5.5 lbs)
- Support Max Weight:
 - 10 Kg (22.1 lbs)
- Screw Type:
 - M4
- Dimension: (W*H*D)
 - 553 x 880 x 201 mm
 - 21.77" x 34.65" x 7.91"
- Support Flat Panel Size:
 - ≤24"
- Mounting Pattern:
 - 100x100 / 75x75 mm

CPU Holder

- Material:
 - Steel/Rubber/Plastic
- Dimension: (W*H*D)
 - 239 x 186 x 220 mm
 - 9.41" x 7.32" x 8.66"
- Weight(Net):
 - 2.08 Kg (4.59 lbs)
- Support Max. Weight:
 - 18 Kg (39.7 lbs)

Warranty and Support

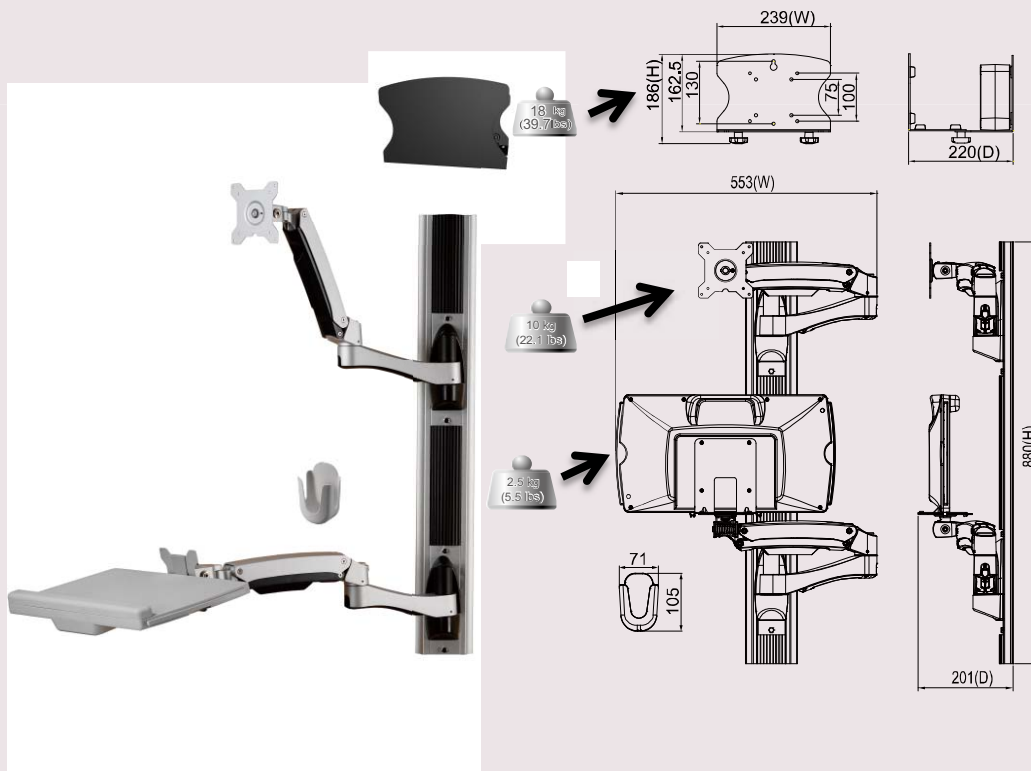
- Warranty: 3 Years
- Support: Free technical support (phone/email)

AMR1AWSV3

See more • Do more • Be more

Sit Stand Combo Workstation Wall Mount System with Extended Display Arm

AMR1AWSV3



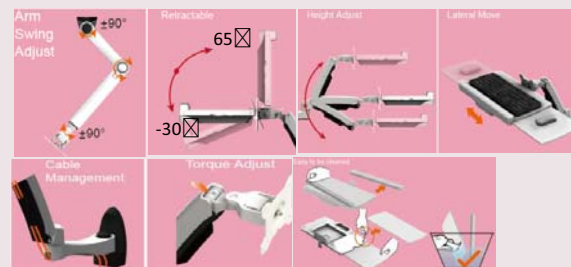
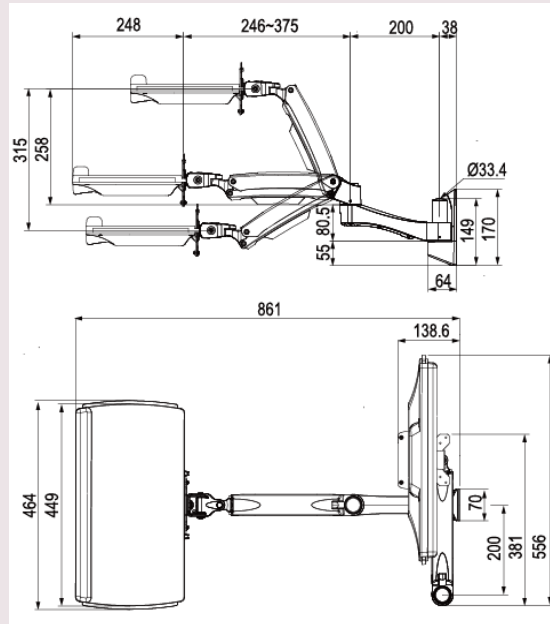
Tilt	Swivel	Height Adjust	Torque Adjust	Arm Swing	CPU Size(mm)
					

AMR1AWSV3

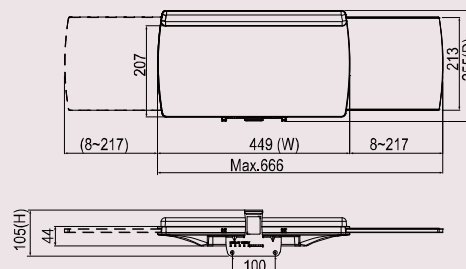
Sit Stand Combo Workstation Wall Mount System with Extended Display Arm

AMR1AWSV1

Keyboard



Keyboard Plate

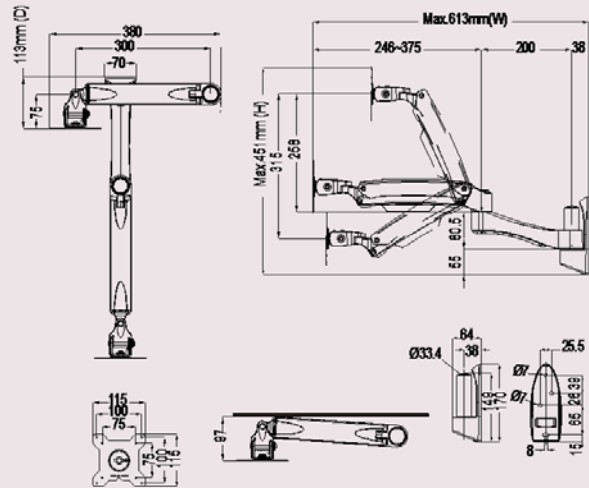


AMR1AWSV3

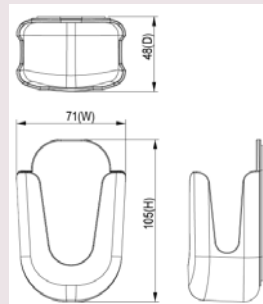
Sit Stand Combo Workstation Wall Mount System with Extended Display Arm

Monitor ARM

AMR1AWSV3



Mouse Holder



CPU Holder

