

# ASSEMBLY INSTRUCTIONS

CEILING MOUNTED OVERHEAD ACRYLIC  
MOBILE BARRIER

CEILING MOUNTED OVERHEAD ACRYLIC MOBILE BARRIER  
PTO-006

# CAUTION

**THE FOLLOWING GUIDELINES ARE PROVIDED FOR YOUR SAFETY;  
PLEASE READ CAREFULLY BEFORE INSTALLATION.**

**WE HIGHLY RECOMMEND THE STRUCTURE INSTALLED BY A  
PROFESSIONAL.**

**MOBILE BARRIER IS SENT DISMANTLED IN COMPACT CASES  
DESIGNED TO MINIMIZE SHIPPING DAMAGE.**

**PANELS ARE HEAVY. THEY SHOULD BE HANDLED BY TWO  
PEOPLE UNTIL FULLY ASSEMBLED.**

**DO NOT REMOVE THE PROTECTIVE PAPER FROM THE VIEWING  
PANEL UNTIL AFTER INSTALLATION. THAT WILL HELP KEEP THE  
LEADED PLASTICS FROM BEING STRETCHED DURING ASSEMBLY.**

**VERIFY THAT THE CEILING CAN SUPPORT THE WEIGHT OF THE  
MOBILE BARRIER.**

**THE FLANGE OF THE CROSS ARM MUST BE CONNECTED TO A  
TOWER CRANE OR STRUCTURE ON THE CEILING TO AVOID  
ACCIDENTS.**

# TOOLS



**PHILLIPS SCREWDRIVER**



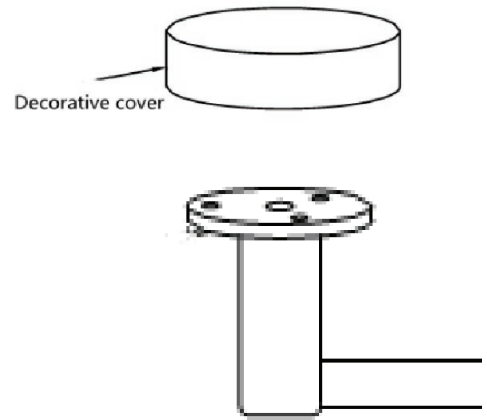
**ALLEN WRENCH  
(INCLUDED)**

# STEPS

## INSTALL CEILING STRUCTURE

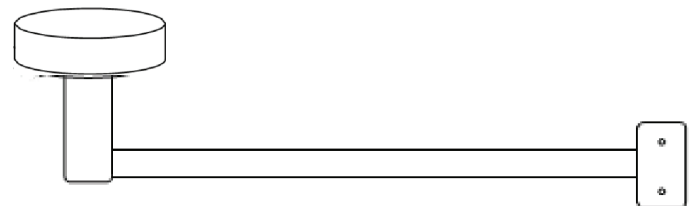
# 1.

Place the decorative cover on the flange.



# 2.

Connect the flange of the cross arm to the structure on the ceiling.

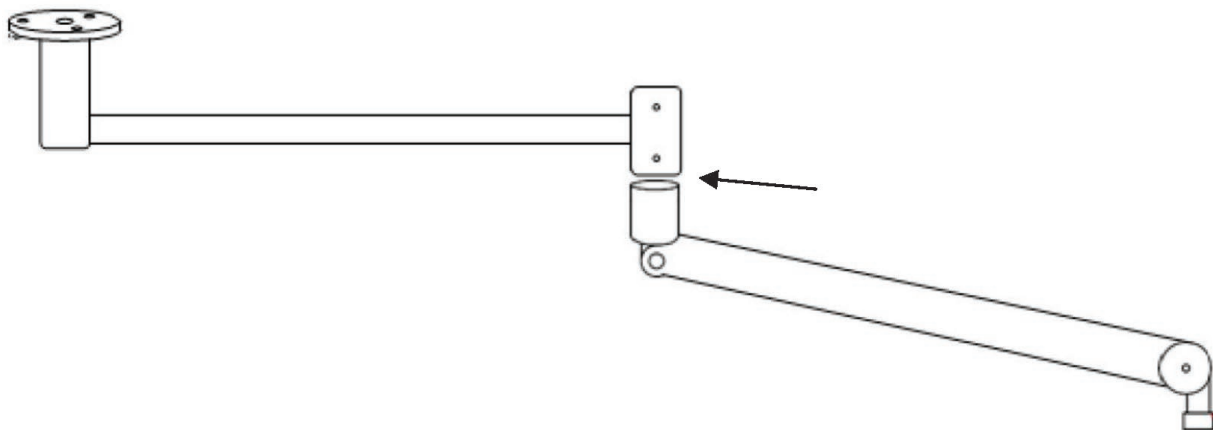


**Insert balance arm into the cross arm peripheral sleeve and place Phillips screws.**

*2 allen screws and center screw.*

**ATTENTION**

*The screws need to be tightened, so the balance of the arm does not deviate from the role of the cross arm.*

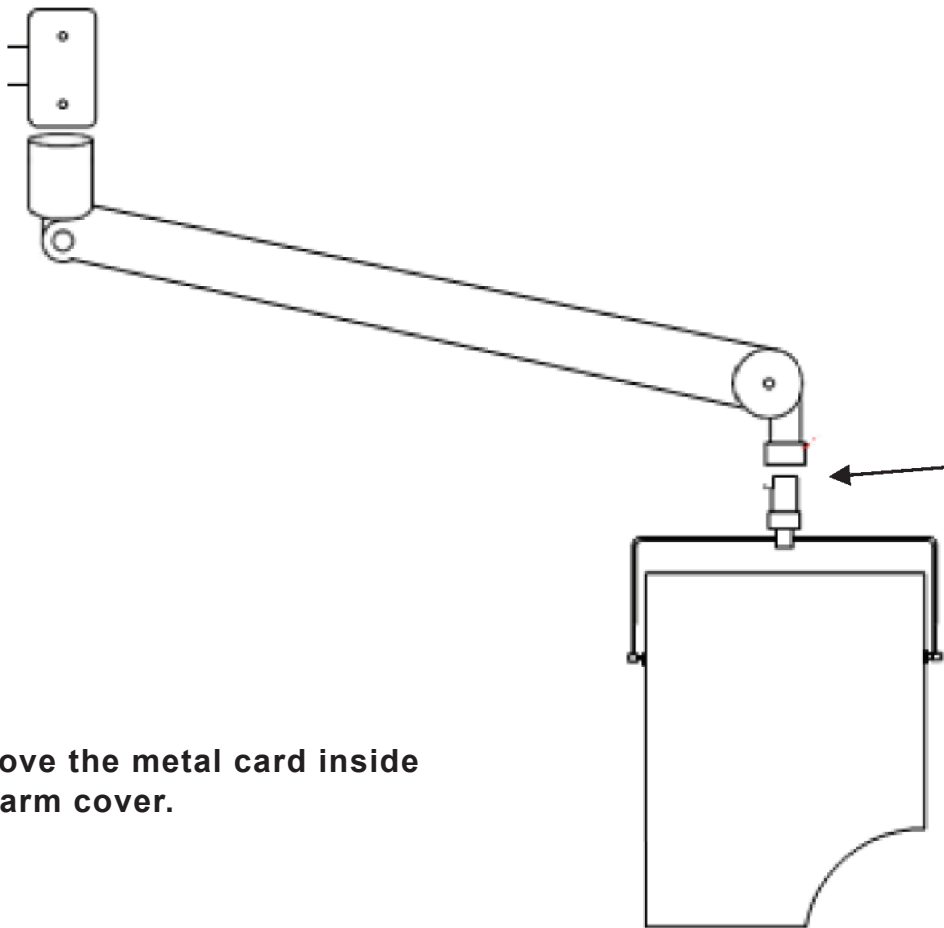


**Hexagon socket screws adjust balance arm swing friction.**

**Insert the acrylic connector into the balance arm to ling the gap.**

**Place the Phillips screws, and put up the decorative cover.**

**Then, put down the balance arm cover and tighten the Phillips screws.**

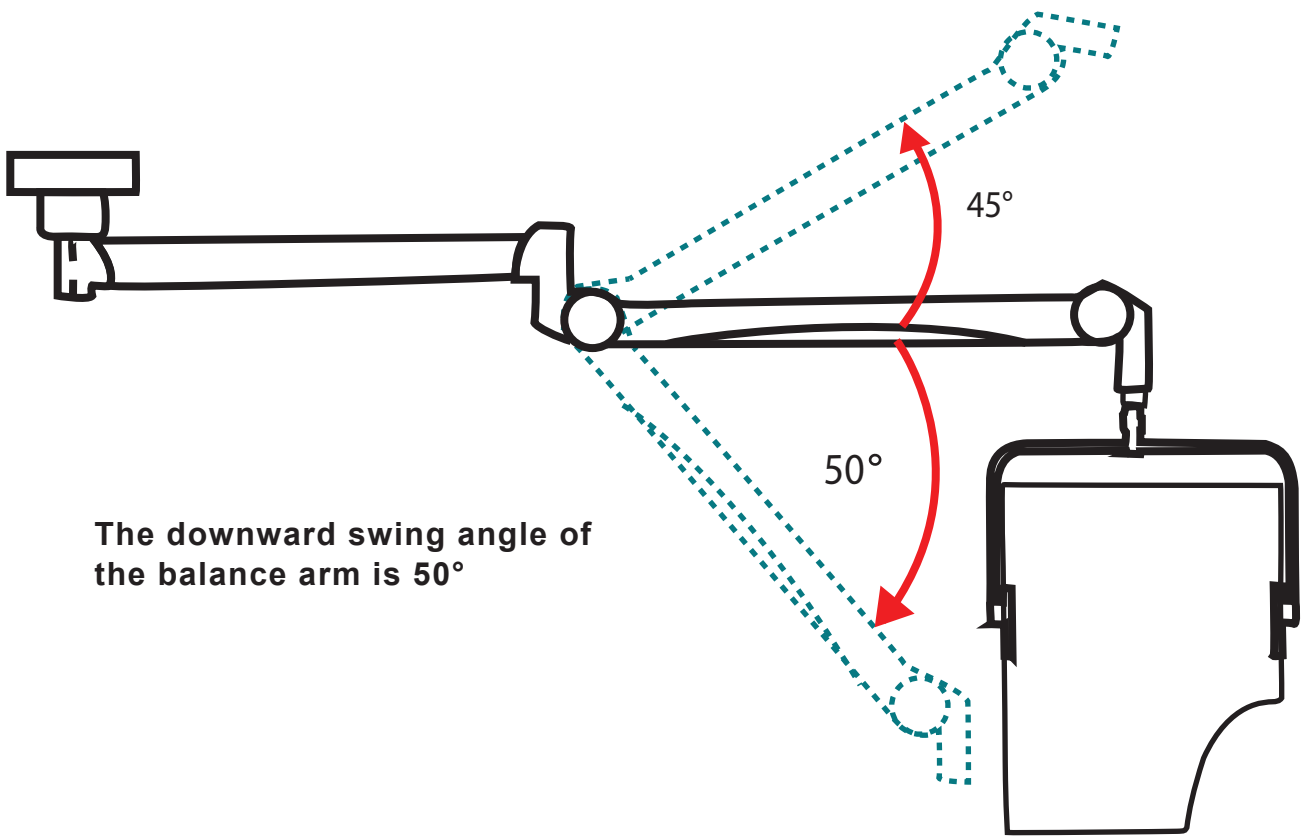


**Do NOT remove the metal card inside the balance arm cover.**

# STEPS

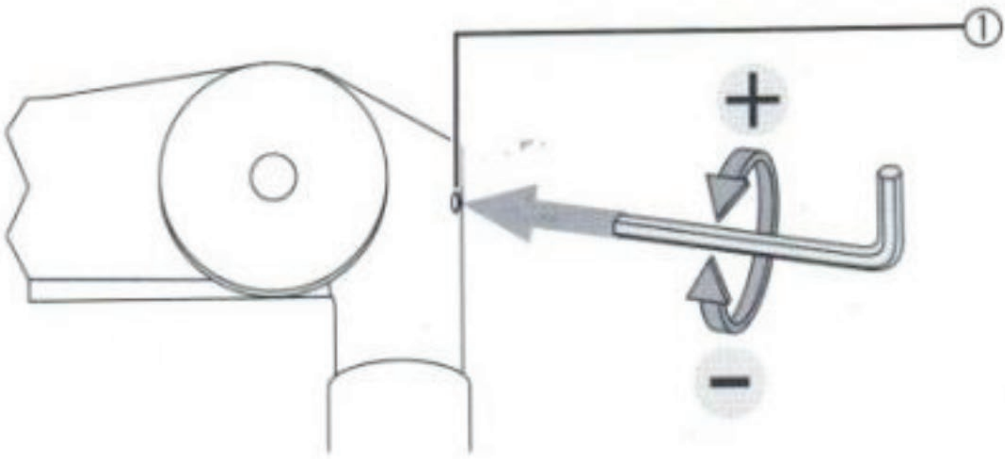
## ADJUSTMENT OF THE BALANCE ARM

The upward swing of the balance arm is  $0^{\circ}$  -  $45^{\circ}$ .



The downward swing angle of the balance arm is  $50^{\circ}$

**Adjust the inner hexagon counterclockwise according to the position shown in the figure below to increase the upward swing angle of the balance arm.**

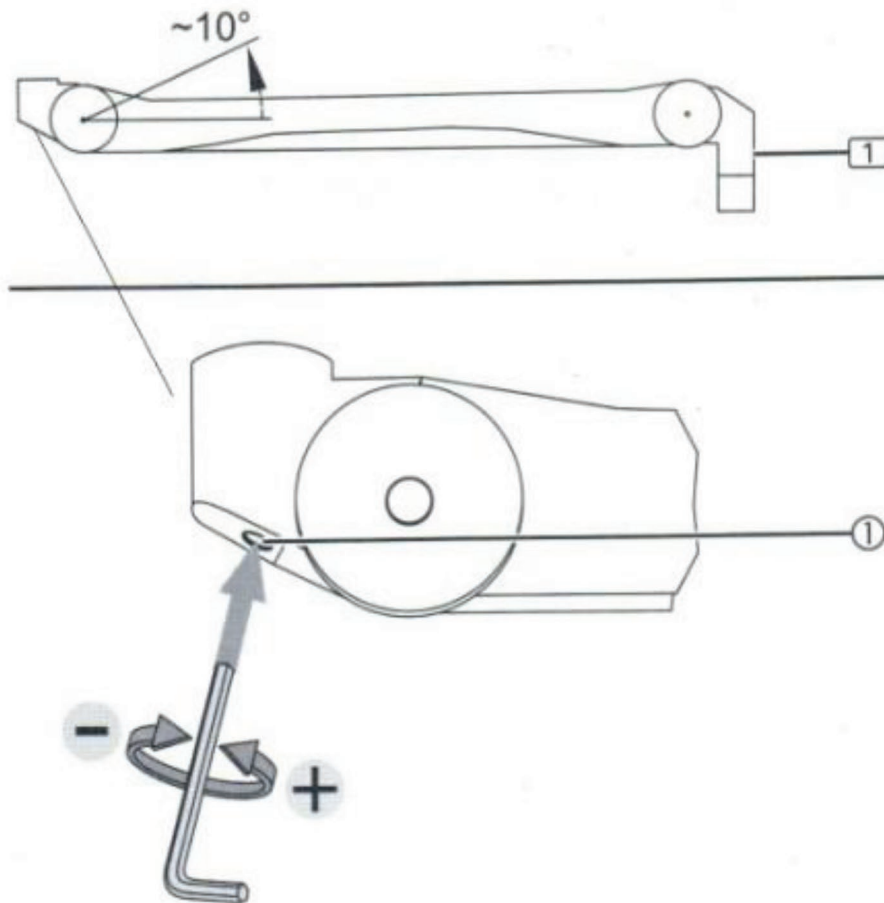




## STOP ADJUSTMENT METHOD AT ANY POSITION OF THE BALANCE ARM (FACTORY ADJUSTMENT COMPLETED).

If the balance arm falls downwards, and the hexagon socket rotates counterclockwise according to the position shown in the figure below until the fall stops OK.

If the balance arm returns to its original position after being pulled down, the inner hexagon will rotate clockwise according to the position shown in the figure below until it returns to its original position, which is OK.



**“ Leading manufacturer of  
occupational safety products ”**