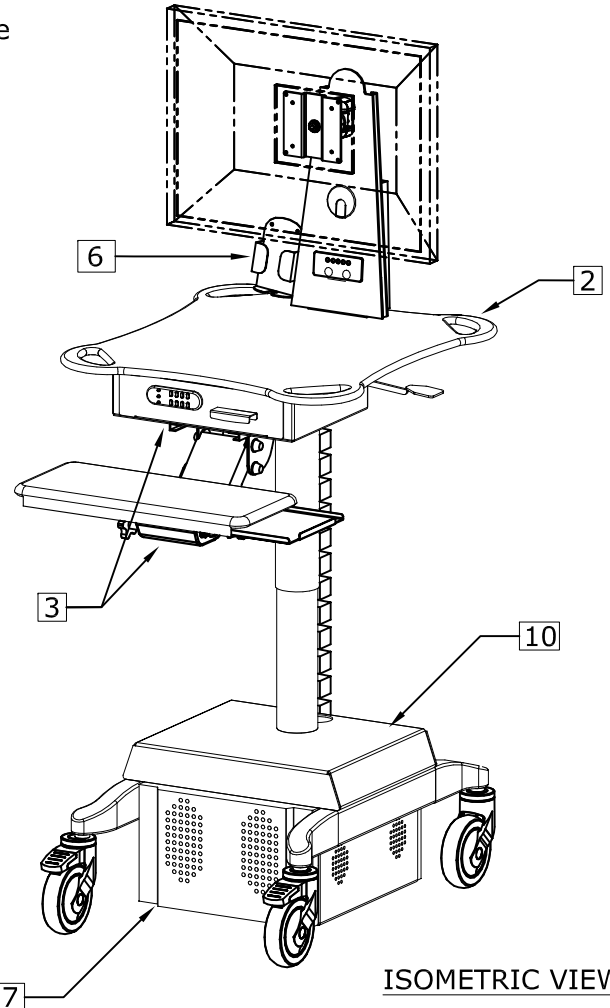
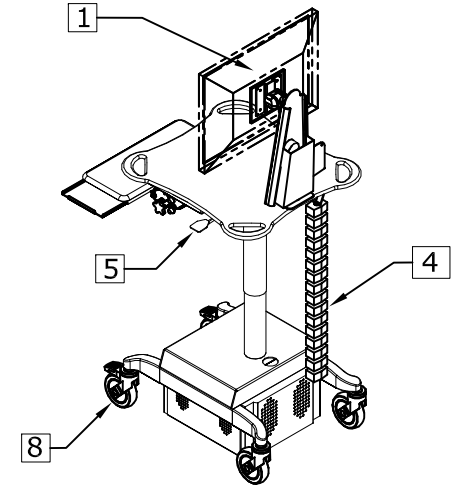


DESCRIPTION POINT OF CARE CART 'PC910'

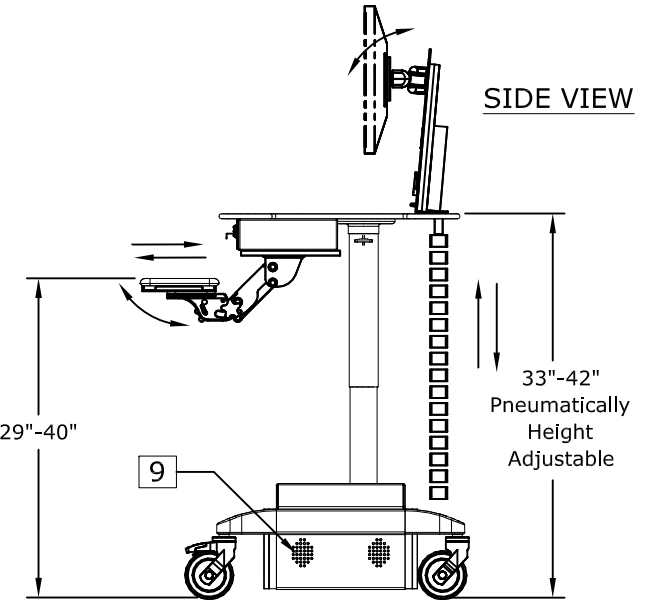
- 1.(1)AFC22 Monitor Holder with built in wire management. LED read out on front
- 2.Worksurface with Handle 22"W x 24"D
- 3.Retractable/Tilt Keyboard Tray Lockable Drawer 10"wx8"Dx3"H
- 4.Wire Management WM100
- 5.Lever for height adjustment
- 6.Mouse Holder
- 7.Removable front and rear access panels
- 8.(4)5"Casters, (2)Front Locking
- 9.Holes for ventilation
- 10. Location for Battery PSTL-54



ISOMETRIC VIEW



REAR ISO VIEW



SIDE VIEW

A0596
A0596

NOTES :
Height Adjustment Tolerance $\pm 1/2"$

MATERIAL :
AS NOTED ABOVE

TOLERANCES UNLESS OTHERWISE SPECIFIED

FRACTIONAL	$\pm 1/64$
2 PLC. DEC.	$\pm .01$
3 PLC. DEC.	$\pm .001$
ANGULAR	$\pm .5^\circ$
FINISH	$\sqrt{32}$

DRAWN BY : PR
DATE: 05/12/2011

A P P R O V E D

ENG :
MFG :
QA :

SCALE : N.T.S. SHEET : 1 OF 1

DESCRIPTION :
POINT OF CARE CART

USED ON :

PATH : Maxflex/PC 910

PDF: PC910-11