



**Built on a SR-130 or
PowerMax 1260 Platform.
Add your own Wireless Digital Panel,
14" Laptop Computer
& Imaging Software.**



- Tilt Out storage cabinet for Wireless Panel & Grid Adapter provides for safe transport.
- Store Away laptop tray. Folds down and slides out for optimum viewing angle.
- Includes Splash Proof panel case. Compatible with 14 x 17 cassette size wireless panels.



Source-Ray's Digital Ready System includes Grid Adapter with 6:1, 103 line, or 215 line grid. Compatible with included Splash Proof panel case. Auxiliary AC outlet on x-ray control module provides power for laptop battery charger. Hidden doghouse compartment houses charger and wires.

DIGITAL READY SYSTEMS – FEATURES & BENEFITS

Splash Proof Panel Case

Compatible with 14 x 17 Wireless Panels



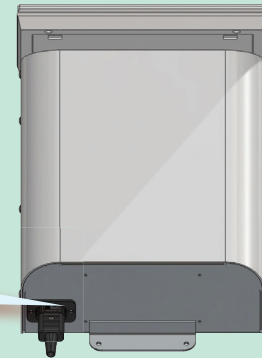
Snap-On Grid Adapter

Compatible with Splash Proof Panel Case

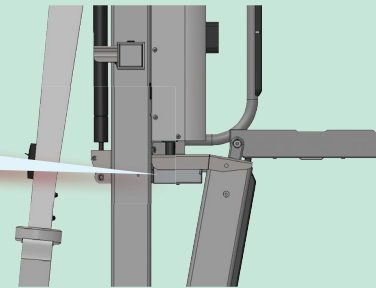


Auxiliary AC Outlet

Available with DR & DR Ready Systems only

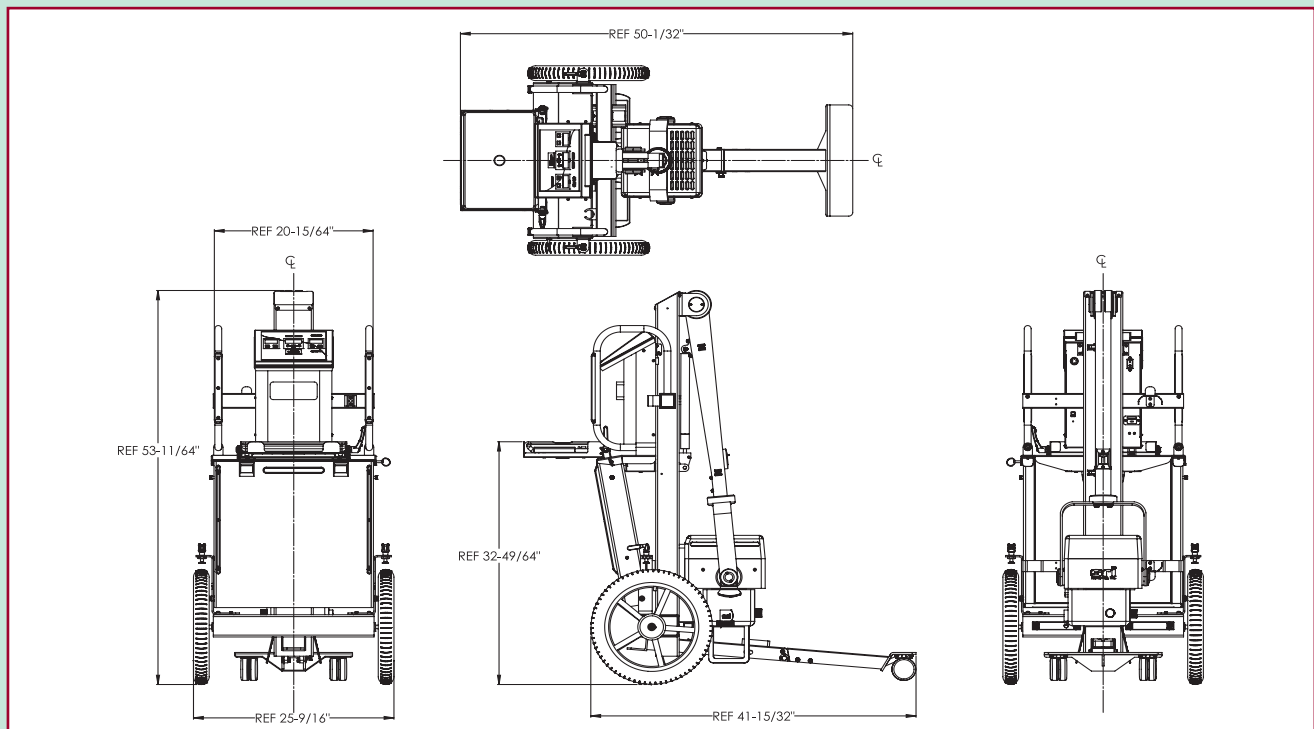


AC Outlet for Laptop Charger



Laptop Charger Compartment

DIAGRAMS



Specifications are subject to change without notice.

ISO 13485:2003 Certified.

Names of companies and/or products appearing in this document are trademarks and /or registered trademarks for their respective companies.

Source-Ray, Inc. • 50 Fleetwood Court • Ronkonkoma, NY 11779
(631) 244-8200 • Email: x_raysales@sourceray.com • fax (631) 244-7464