

Deluxe Diagnostic Fusion Cart DDFC

Assembly Instructions





How can we improve our assembly instructions?
Your comments and suggestions are important to us.
Please e-mail us at: support@versatables.com.

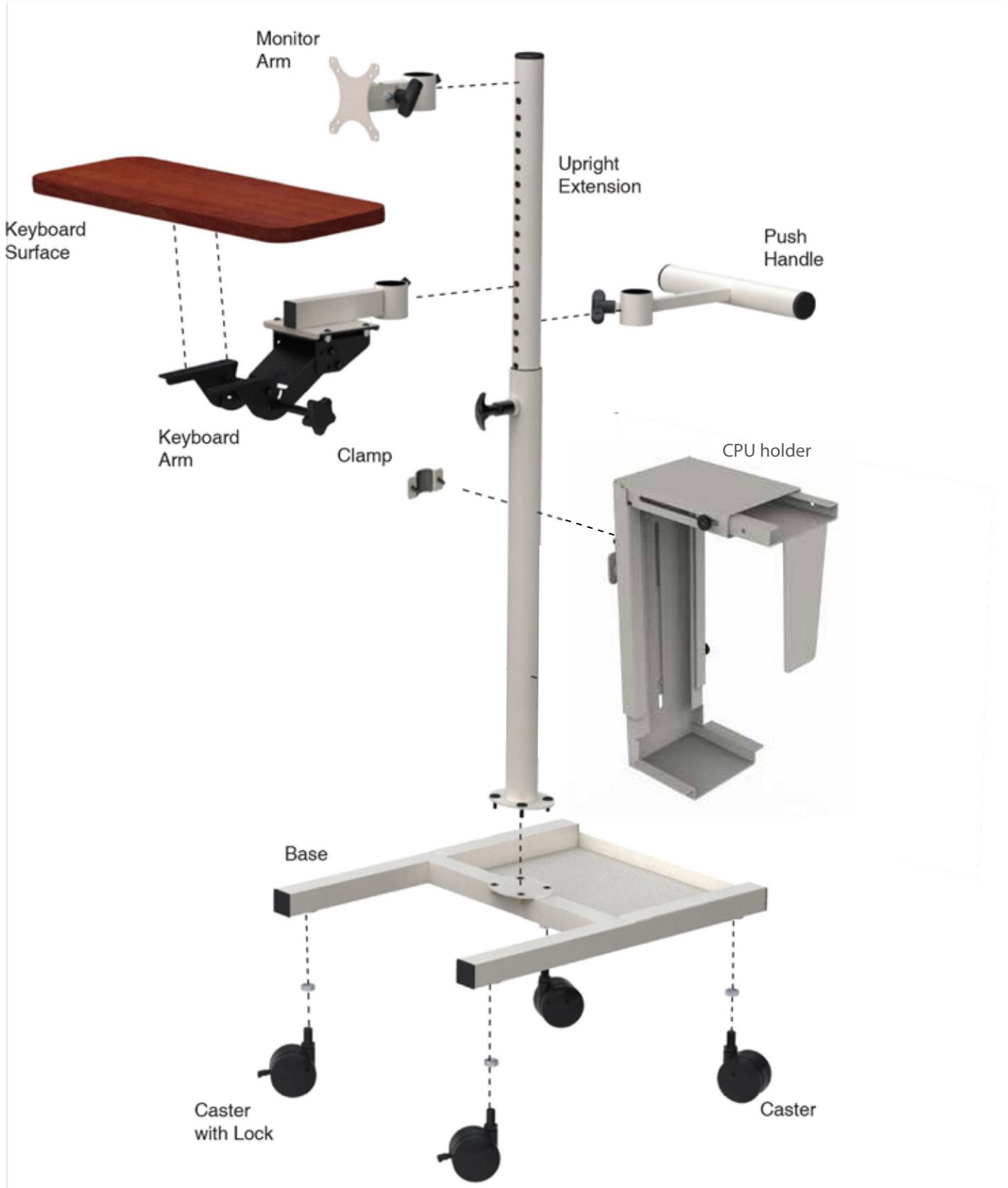
Hardware & Parts List

Deluxe Diagnostic Fusion Cart

<p>8mm Phillips Machine Screw</p>  <p>Qty:4</p>	<p>4mm & 8mm Allen Wrench</p>  <p>Qty:2</p>	<p>20mm Furniture Bolt</p>  <p>Qty:6</p>	<p>1/2 - 13 Jam Nuts</p>  <p>Qty:4</p>	<p>Caster & Caster with Lock</p>  <p>Qty:4</p>
<p>Base</p>  <p>Qty:1</p>	<p>Upright Extension</p>  <p>Qty:1</p>	<p>Keyboard Arm</p>  <p>Qty:1</p>	<p>Zip Tie & Curly Tie</p>  <p>Qty:5</p>	
<p>Keyboard Platform</p>  <p>Qty:1</p>	<p>Push Handle</p>  <p>Qty:1</p>	<p>LCD Holder</p>  <p>Qty:1</p>	<p>CPU holder</p>  <p>Qty:1</p>	
<p>Clamp Bushing</p>  <p>Qty:2</p>	<p>3/8 - 1/6 x 1" Socket Head Bolt</p>  <p>Qty:2</p>	<p>CPU Holder Mount Bracket</p>  <p>Qty:1</p>	<p>Clamp</p>  <p>Qty:1</p>	<p>1" 7/8 Velcro Pads 1 Velcro Loops 1 Velcro Hooks</p>  <p>Qty:2</p>

Additional Tools Required

<p>Phillips Screw Driver (Optional)</p> 	<p>3/4" Wrench</p> 
--	---



Step 1

Attach Casters to Base

1/2-13 Jam Nut



Qty:4

Use the Jam Nut to insure a level and stable base. Tighten with 3/4" Wrench.



1/2-13 Jam Nut



NOTE: The Casters with Locks are installed in the front of the Base.

Step 2

Attach Upright Extension to Base

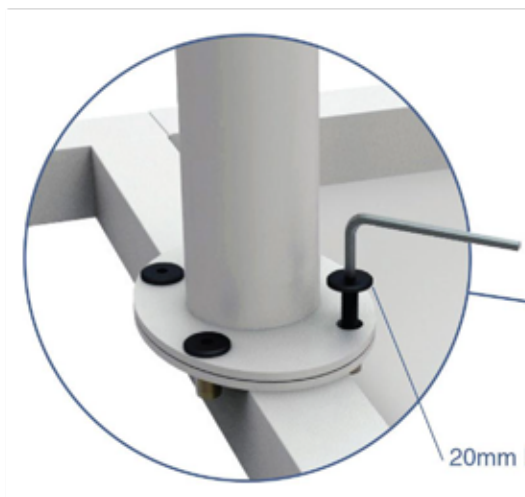
20mm Furniture Bolt



Qty:4

Attach Upright Extension using four 20mm Furniture Bolts. Tighten with 4mm Allen Wrench.

NOTE: Lock Casters to keep cart from moving during the rest of the assembly.



Step 3

Attach mount bracket to CPU holder

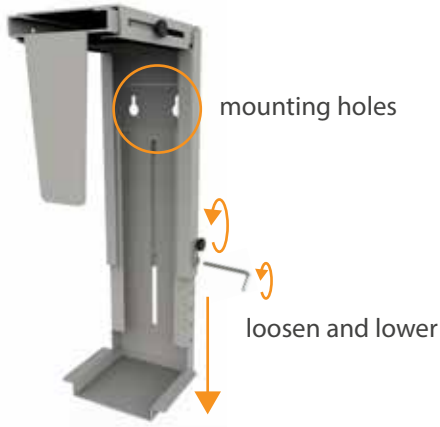
Use (2) 20mm Furniture Bolts.

20mm Furniture Bolt



Qty: 2

NOTE: If necessary, loosen the two stoppers and lower bottom piece to expose the mounting holes



Step 4

Attach CPU Holder At the desired Height.

Use (1) Clamps and (2) 3/8 1/6 x 1" Socket Head Bolts.

Clamp



Qty: 1

3/8 1/6 x 1" Socket Head Bolt



Qty: 2

Clamp Bushing



Qty: 2



Step 5 Attach Velcro Pads to both your CPU and CPU Holder.

Once in place, adjust Holder and tighten Thumb Nuts to keep CPU secure.

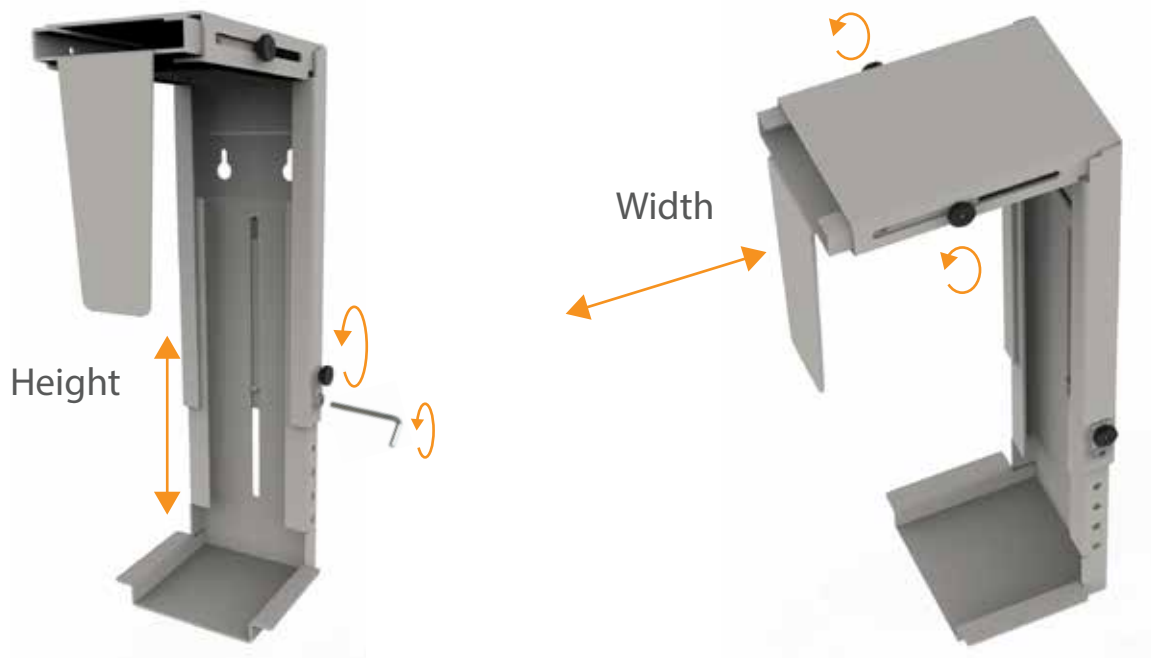
Velcro Pads



Qty: 2



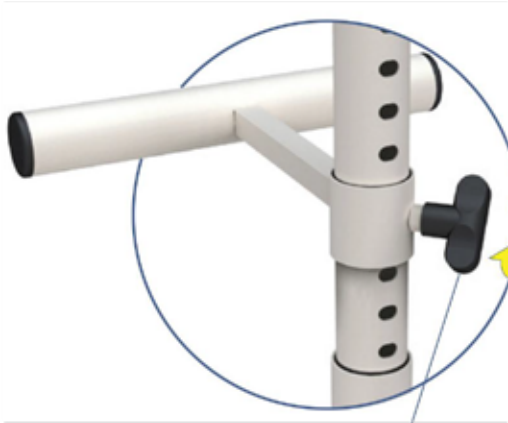
CPU holder Adjustability



Step 6

Attach Push Handle

Slide Upright Extension to desired height and tighten Pull Pin. Once in place, slide Push Handle onto Upright Extension and tighten T-Knob



Tighten T-Knob



Tighten Pull Pin



Step 7

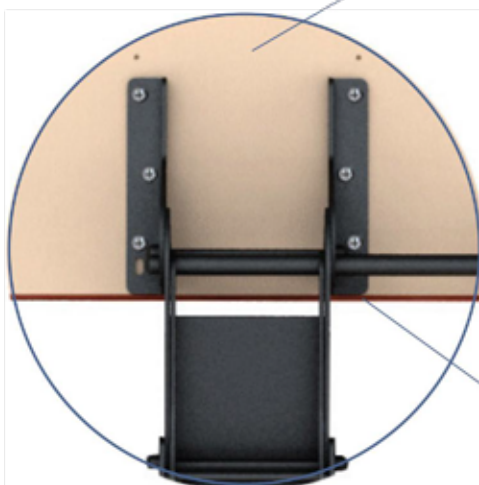
Assemble Keyboard Surface.

Lay Keyboard Surface Upside Down and attach Keyboard Arm.

3/4 Phillips Pan Head Screw

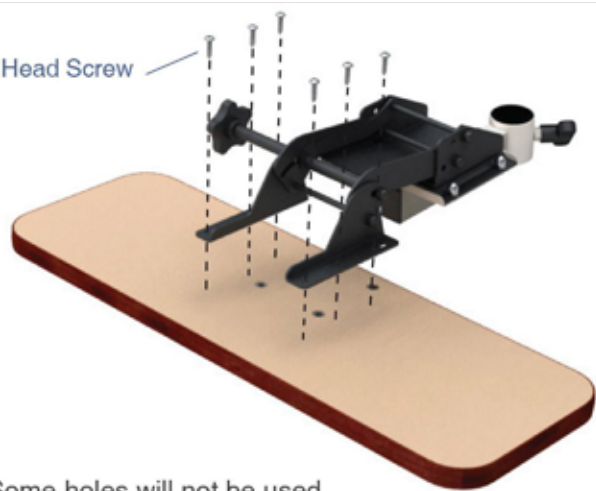


Qty:6



Keyboard Surface

3/4 Phillips Pan Head Screw



NOTE: Some holes will not be used due to multiple configurations.

NOTE: Align back of Keyboard Surface to back of Keyboard Arm mounting surface.

Deluxe Diagnostic Fusion Cart Attach Keyboard Arm

Step 8

Slide Keyboard Arm onto Upright Extension and Tighten T-Knob



Step 9

Slide Monitor Arm onto Upright Extension and tighten T-Knob.

Assemble Keyboard Surface.



Step 10

Attach Monitor.

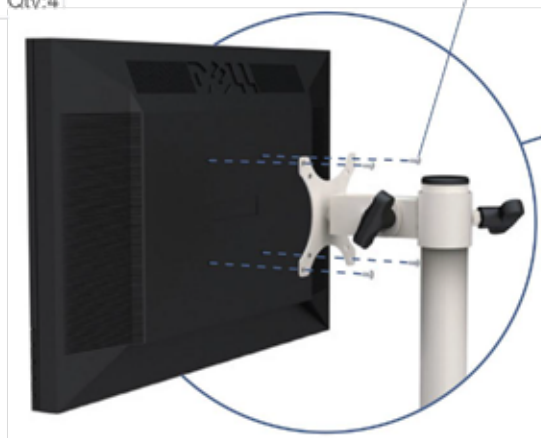
Attach your monitor to the LCD holder using four 8mm Phillips Machine Screws. Make sure to tighten Pull Pin.

8mm Phillips Machine Screw



Qty:4

8mm Phillips Machine Screw



Tighten Pull Pin



NOTE: Steps 10 and 11 are OPTIONAL. The Utility / Printer Platform is an ADDITIONAL ACCESSORY and is acquired separately from the cart.

Step 11

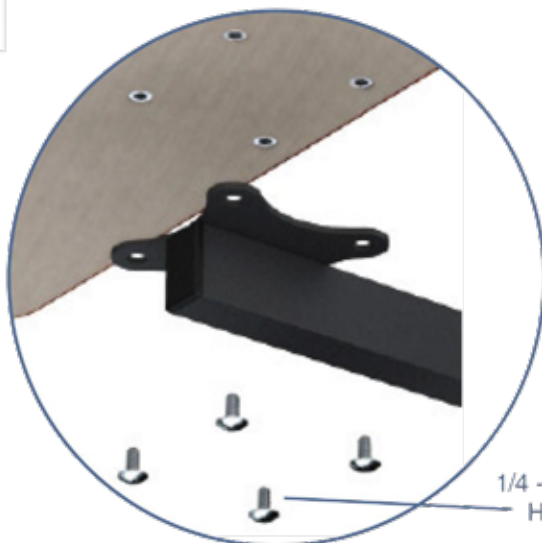
Utility / Printer Platform

Attach the Utility / Printer Platform to Utility Bracket using (4) 1/4-20 Phillips Head Bolts.

1/4-20 Phillips Head Bolt



Qty:4



1/4 - 20 Phillips Head Bolt



VersaTables.com
14105 Avalon Blvd.
Los Angeles, CA 90061



Lifetime Warranty



Quantity Discounts



Assembled in USA



Fast Shipping

Support:

Local: 310-353-7100
Toll Free: 888-929-0322
Fax: 310-353-7109
Support@VersaTables.com

Step 12

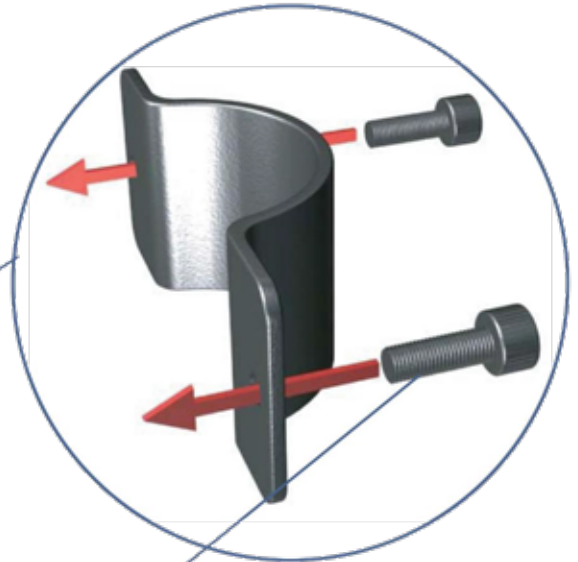
Utility / Printer Bracket

Attach the Utility / Printer Bracket to Cart at the desired height using (1) Clamp Bracket and (2) 3/8-16 x 1" Socket Head Bolts.

3/8 - 16 x 1"
Socket Head Bolt



Qty: 2



3/8 - 16 x 1" Socket
Head Bolt